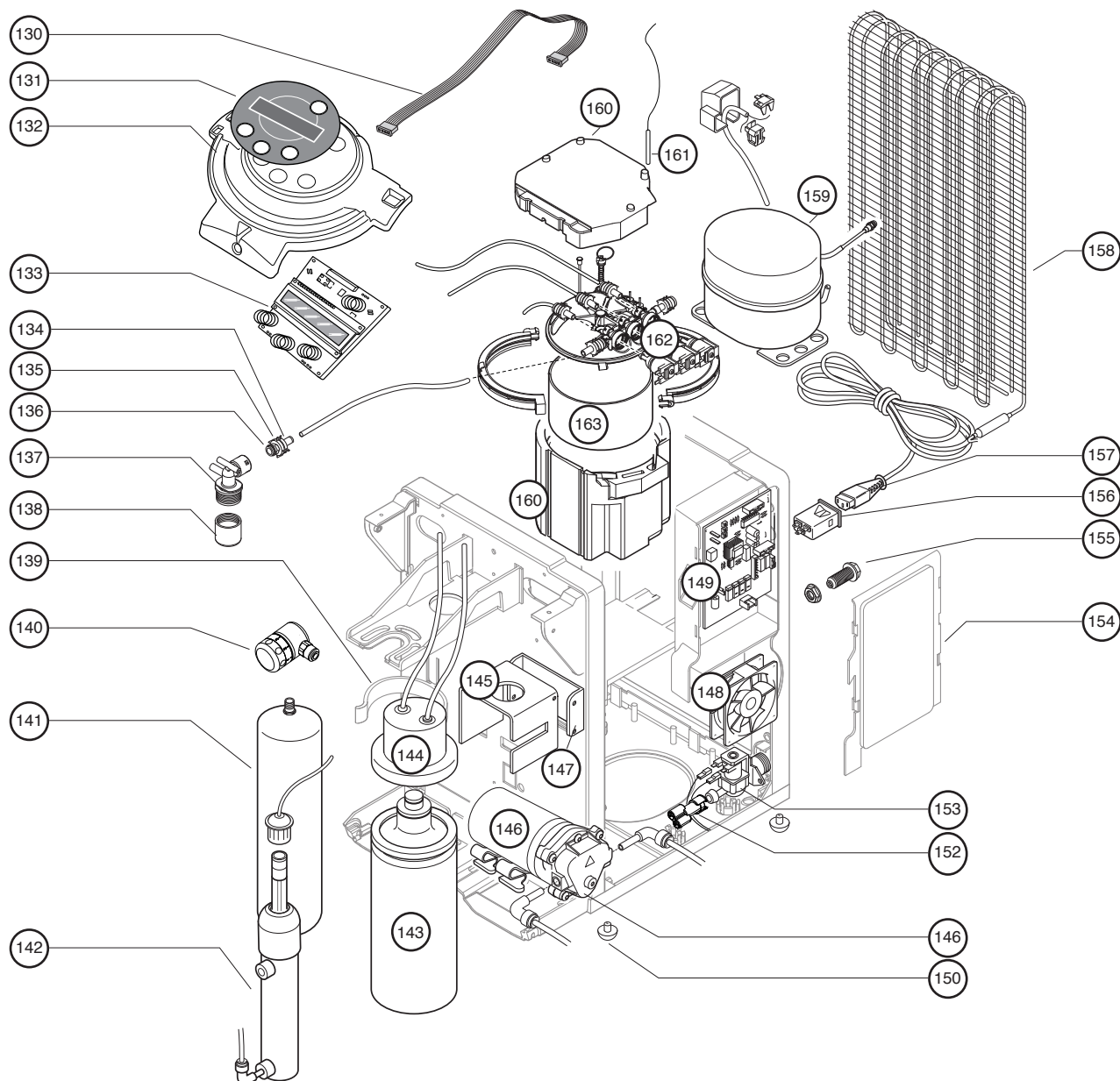


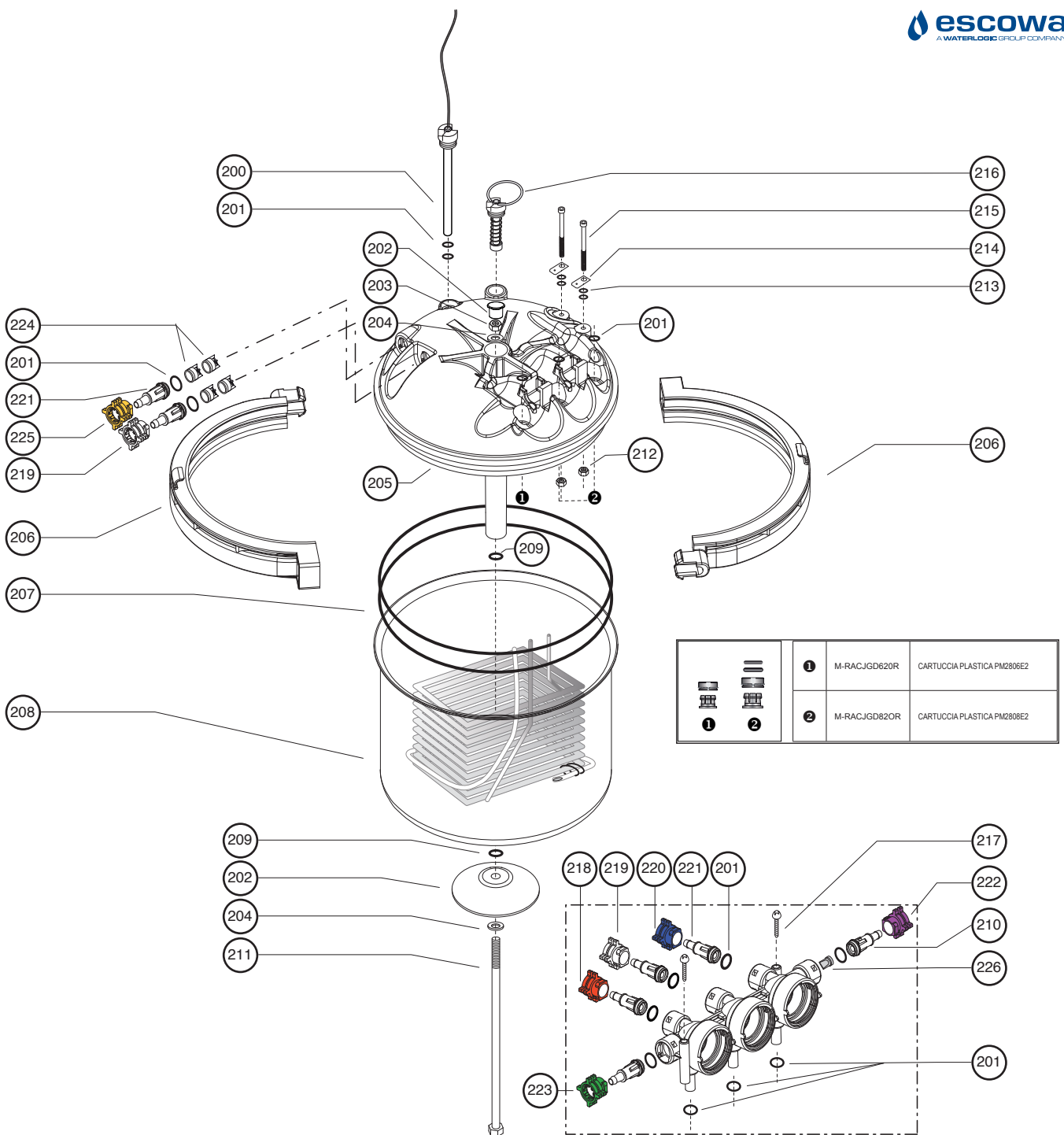
NR	CODE	DESCRIPTION
100	M-SMICOPSUPPP	METALLIZED UPPER COVER - GREY
101	M-ETICSMITOUCH3+1	SMILE TOUCH LABEL 3+1 KEYS
102	M-SMILATOSXPP	PP METALLIZED SMILE LEFT SIDE - SILVER COLOUR
103	M-SMIPORDISPLPST	TRANSPARENT PS SMILE TOUCH DISPLAY HOLDER
104	M-SMIEROGPS	TRANSPARENT PS SMILE WATER DISPENSER
105	M-SMIFRONPP	PP METALLIZED SMILE FRONT SIDE - SILVER COLOUR
106	M-SMIGRIGPS	PS TRANSPARENT SMILE GRID
107	M-SMIGALLPEROSS	PE RED FLOAT
108	M-SMIVASCHABS	ABS METALLIZED DRIP TRAY - GREY COLOUR
109	M-SMISTAFFPA6	BLACK PA6 FV30 SMILE FRONT SIDE BRACKET
110	M-SMITEL.FRONT	BLACK ABS FRONT SIDE FRAME
111	M-SMITEL.BASE	BLACK ABS BASE FRAME
112	M-SMITEL.RETRO	BLACK ABS BACK FRAME
113	M-SMIVANOSK	ABS SMILE CHIP CARD BOX - YELLOW COLOUR
114	M-SMILATODXPP	PP METALLIZED SMILE RIGHT SIDE - SILVER COLOUR
115	M-SMITEL.ANG.DX	BLACK ABS SMILE RIGHT SIDE FRAME
116	M-SMITEL.ST.ERG	BLACK ABS SMILE BRACKET FRAME
117	M-SMITEL.ANG.SX	BLACK ABS SMILE LEFT SIDE FRAME



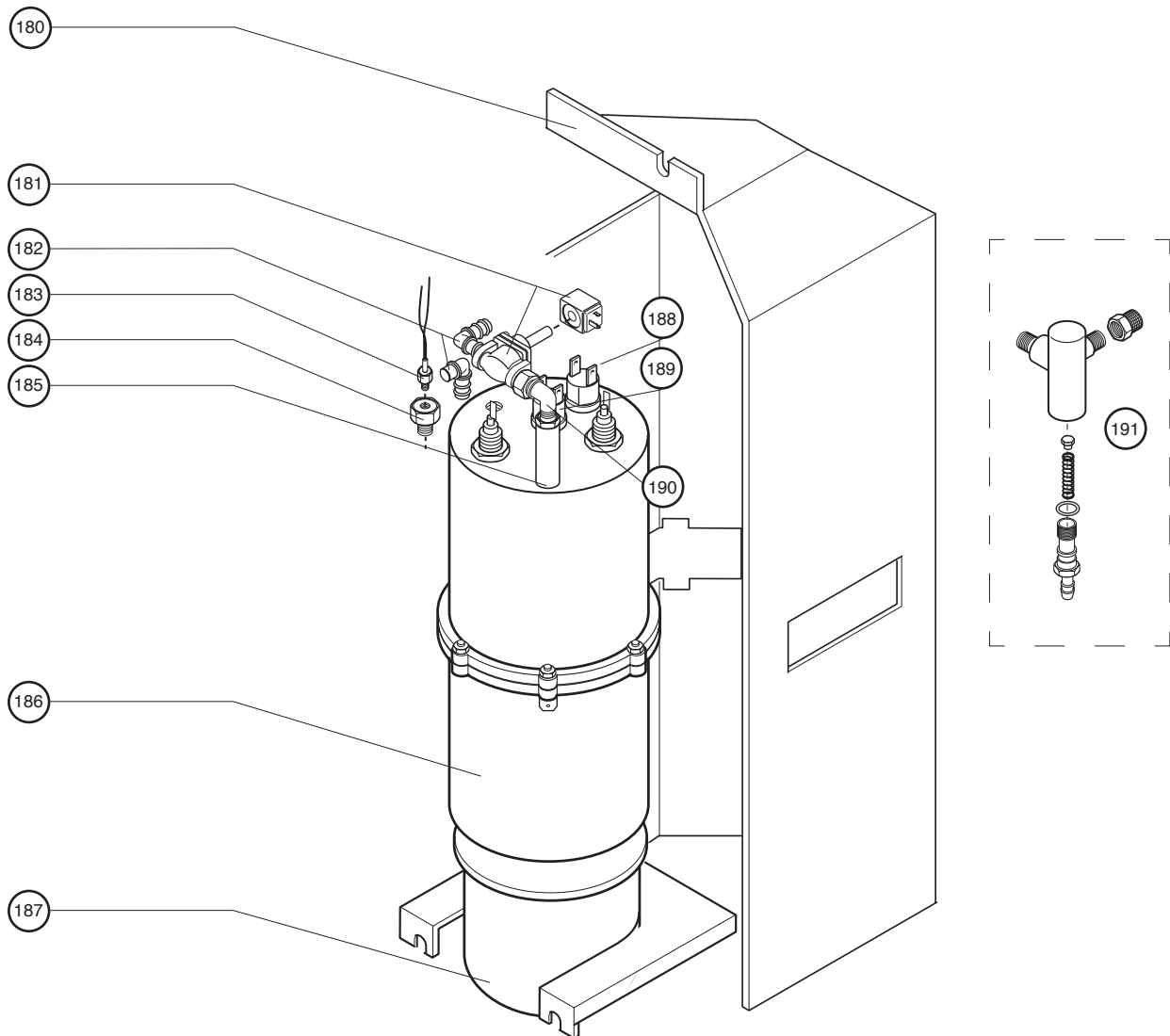
NR	CODE	DESCRIPTION
130	M-FLAT10PMM	10 PIN FLAT CABLE WITH "MICRO MATCH"
131	M-ETICSMITOUCH3+1	SMILE TOUCH LABEL 3+1 KEYS
132	M-SMIPORDISPLPST	TRANSPARENT PS SMILE TOUCH DISPLAY HOLDER
133	M-SKSPTOUCH355.1	SMILE'S TOUCH KEYBOARD (4 KEYS)
134	M-SMIPTUBBIANCO	SMILE D6 PIPE HOLDER WITH WHITE HOLE
135	M-SMIGHERACCOVER	GREEN METAL RING FITTING
136	M-ORING5,5X2,5	ORING 5,5x2,50 EPDM 70
137	M-SMIRACCAR	AERATOR FITTING (IN ACETALIC)
138	M-AREATORE	CHROMIUM-PLATED AERATOR PERLATOR HONEYCOMB
139	M-SMITEL.ANBOMB	BLACK ABS FIXATIVE RING SMILE FRAME FOR CO <sub>2</sub> BOTTLE
140	A-R-CO2-01	PRESSURE REDUCER FOR CO <sub>2</sub> MONOUSE BOTTLE
141	A-B-CO2GR600	600 GR. MONOUSE CO <sub>2</sub> BOTTLE
142	A-LAMPPLAST+BALLAST	COMPLETE PLASTIC UV LAMP+BALLAST
143	A-FILTRO-AC	2.800 LT. AC EVERPURE FILTER
144	P-TESFILABS	ABS FILTER HEAD WITH CARTRIDGES
145	M-STAFILAGGFIL	EVERPURE FILTER'S BRACKET HOOKING
146	M-POMPDDP5800	MEMBRANE PUMP DDP 5800 (230V MOTOR)
147	M-STAFILSMITIOB	"B MODEL" SMILE FILTER'S BRACKET

NR	CODE	DESCRIPTION
148	M-VEN12V	12 V 92X92X25 FAN
149	M-SKSPMAIN354.1-C	354.1-C MAIN BOARD (DECO A BASE)
150	M-SMIPEDINO	SMILE'S FOOT
151	P-POMPDDP5800+MOT	220V MEMBRANE PUMP DDP 5800 + MOTOR 230V AC
152	M-PVNR2VIE	PORTA VALVOLA DI NON RITORNO A 2 VIE
153	M-VAL1VNEW	3/4 NEW IN VALVE
154	M-SMIVANOSKTAP	SMILE ABS CHIP CARD COVER
155	M-RACPPD4	D4 BULKHEAD UNION FITTING
156	M-NOISEFILTER	ELECTROMAGNETIC ANTI-NOISE FILTER
157	M-CAVALI001	IEC 2 MT. POWER SUPPLY CABLE
158	M-CONST001	STATIC CONDENSATOR
159	M-COMPLG 220V	220 V LG COMPRESSOR
160	M-GUSCIO+TAP003	2010 WHITE POLYSTYRENE COVERING+PLUG
161	M-SON6X10010K	6X100 10K INOX PROBE
162	P-VAL5V	5 WAYS ELECTRIC VALVE
163	M-PENT18	CARBONATOR'S POT CM18
NOTE	Rev 2.0 - august 2010	152 - M-VNRD6 replaced with M-PVNR2VIE + M-VNRD15 inside but not included
	Rev 3.0 - january 2012	140 - CO2 bottle Pressure Reducer A-R-CO2 replaced with the new A-R-CO2-01 model

TECHNICAL DATA			
POWER SUPPLY VOLTAGE		220-230V - 50Hz - monophase - Climatic Class: SN	
MAX POWER CONSUMPTION		150W - 0.68A	
ROOM WORK TEMPERATURE		10-32 °C	
COMPRESSOR POWER		Hermetic 65W	
QUANTITY OF REFRIGERANT GAS		R134a 40g	
CONDENSATION OF VENTILATED AIR		YES	
WATER PUMP TYPE		Diaphragm	
CARBONATION SYSTEM		Saturator	
MINIMUM INLET WATER TEMPERATURE		5 °C	
MAXIMUM INLET WATER TEMPERATURE		20 °C	
DISPENSED WATER TEMPERATURE		Adjustable 4-6-8 °C	
COLD AND SPARKLING WATER OUTPUT		16 l/h; $\Delta t = 10\text{ °C}$ (Room Temperature 25°C - Humidity 75%)	
WATER SYSTEM WORKING PRESSURE MIN - MAX		150-400 kPa (1.5 - 4 bar)	
CARBONATOR WATER TANK	CAPACITY	INOX AISI 316L	4 l
ANTI-LEAKAGE SYSTEM		Security electro-valve on water inlet anti-leakage sensor (optional).	
MIN - MAX CO <sub>2</sub> PRESSURE		350-600 kPa (3.5 - 6 bar)	
NET WEIGTH (ACCESSORIES EXCLUDED)		16 kg	
GROSS WEIGTH (ACCESSORIES EXCLUDED)		17 kg	
WEIGHT WITH PACKAGE		18 kg	
DISPENSER DIMENSIONS LxPxH		240x420x370 mm	
PACKAGE DIMENSIONS LxPxH		300x480x460mm	
ACCESSORIES INCLUDED		Power connection cable (2m), Installation KIT, Instruction manual	
SOUND PRESSURE LEVEL		48 dB(A) [Elite] - 42 dB(A) [Joy and Base]	
SOUND POWER LEVEL		62 dB(A) [Elite] - 55 dB(A) [Joy and Base]	
STORAGE TEMPERATURE MIN - MAX		2 °C / 40°C	



NR	CODICE	DESCRIZIONE
200	M-SON6X10010K	6X100 10K. PVC 45cm JST SP INOX PROBE
201	M-ORING5,5X2,5	ORING 5,50x2,50 EPDM 70
202	M-RONPLGASD180	CARBONATOR PLASTIC WASHER+PLUG
203	M-DADOIXM8	STAINLESS STEEL NUT A2 M8
204	M-RONM8	STAINLESS STEEL WASHER M8
205	M-SMITESGASATORE	CARBONATOR HEAD
206	M-GHIEREPA6-6	CARBONATOR HEAD RING NUT - D 180 PA6-6 (LEFT+RIGHT)
207	M-ORING164,69X3,53	ORING 164,69X3,53 NBR 70
208	M-PENT18	CARBONATOR POT
209	M-ORING7,6X2,4	SILICONE ORING SH70 7,6X2,4
210	M-SMIPTUBO3	WHITE D6 OZONE ONLY PIPE FITTING (OPEN)
211	M-TIRINM8X170	STAINLESS STEEL SCREW AISI 304 M8X170mm
212	M-DADOIXM4	STAINLESS STEEL NUT A2 M4
213	M-ORING368X178	BLACK ORING EPDM 70 3,68X1,78
214	M-FASTON	MALE FASTON 6.3
215	M-VITA2M4X50	STAINLESS STEEL HEX SCREW ROUND HEAD TCEI A2 M4 X 50mm
216	M-OTTMOLLA	SPRING SAFETY VALVE
217	M-VIAUTFIL3,5X38	INOX SELF TAPPING-SCREW 3,5x38
218	M-SMIGHIERACCAR	ORANGE PLASTIC FITTING
219	M-SMIGHIERACC	WHITE PLASTIC FITTING
220	M-SMIGHIERACCBLU	BLU PLASTIC FITTING
221	M-SMIPTUBBIANCO	WHITE D6 PIPE FITTING (OPEN)
222	M-SMIGHIERACCVIO	VIOLET PLASTIC FITTING
223	M-SMIGHIERACCVER	GREEN PLASTIC FITTING
224	M-VNRD10	SAFETY VALVE D10
225	M-SMIGHIERACCGIA	YELLOW PLASTIC FITTING
226	M-VALRITO3	GREY SILICON OZONE SAFETY VALVE 10.2 X 13



NR	CODE	DESCRIPTION
180	M-STABOILOT	KIT BOILER OT SMILE
181	M-VAL2VIEFF1/8	ELETTROV. 2/2 VIE ORIFIZIO 2 1/8 GAS 230V SDC21BVEAISFA10
182	M-RACOT1/8LOG	KIT RACCORDO OTTONE 1/8 OGIVA (GOMITO) - KM16000006
183	M-SON100M4	SONDA100K M4 ALU300Gr SIL.40cm AMP2 (HOT)
184	M-TAP1/8MFILM4	TAPPO 1/8 MASCHIO FILETTATO M4 VS COD FM18000076
185	M-RACOTP1/835MM	RAC. OTTONE PROLUNGA 1/8 35mm VS COD FM04000102
186	M-KITCALPRO	KIT CALDAIA PROF 1200W 230V
187	M-VASOESP	VASO ESPANSIONE 1/2" VS.CODICE R1016828
188	M-TERM004	TERMOSTATO 125NC VS.CODICE FE1800002
189	M-TERM003	TERMOSTATO DI SICUREZZA 165NC VS.CODICE FE1800003
190	M-RACOTG1/8	RACCORDO OTTONE GOMITO CONICO 1/8 MM VS COD FM66350020
191	M-RACOTBYP	RACCORDO OTTONE KIT BY-PASS KM02000006